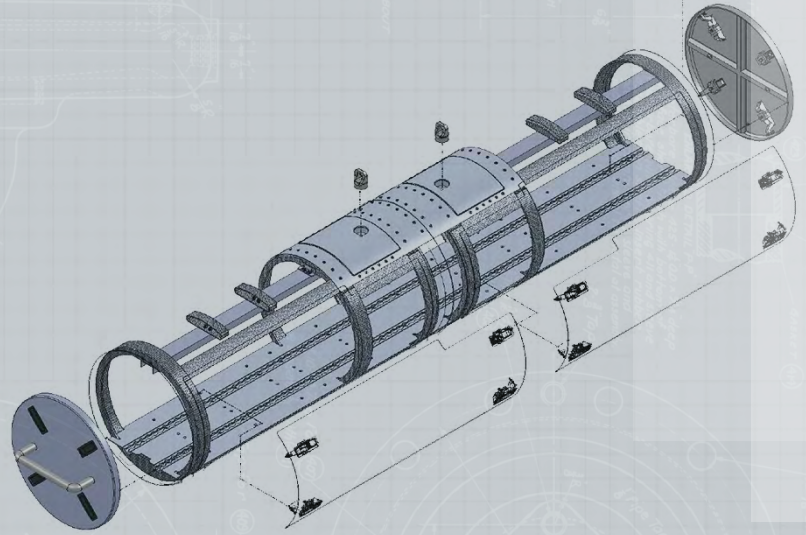




# F-35 Lightning II **MXU-1072/A Advanced Travel Pod**





## An Updated Replacement For The Legacy MXU-648 Travel Pod

The KIHOMAC MXU-1072/A F-35 ATP is the solution to world-wide mobility, adaptive basing, and agile combat employment (ACE) requirements for US and international military services.



### USABLE VOLUME

MXU-648 4.75 ft<sup>3</sup>

MXU-1072/A (ATP) 10 ft<sup>3</sup>



### MAX ITEM LENGTH

MXU-648 54 in\*

MXU-1072/A (ATP) 90 in

\*Approx. - Varies by item shape and width.



### CARRYING CAPACITY

MXU-648 300 lbs

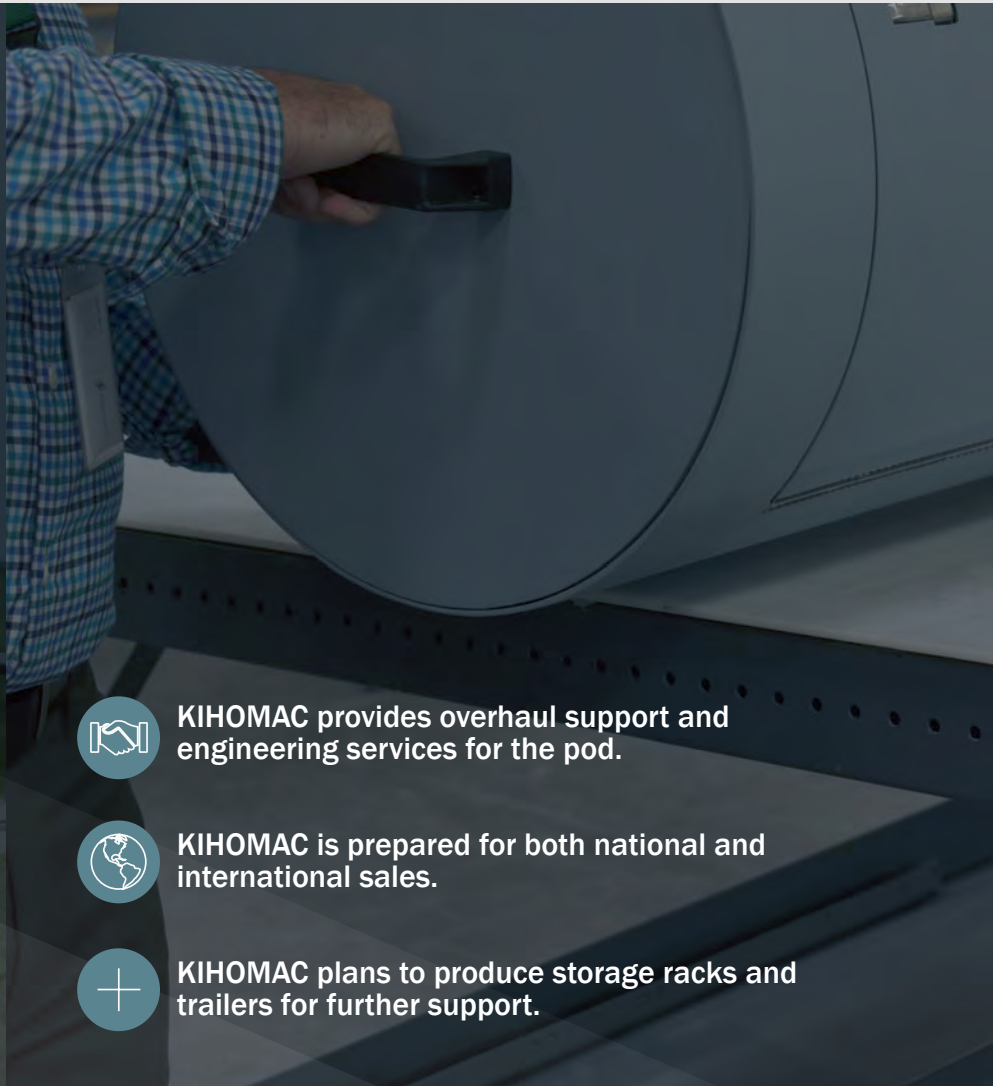
MXU-1072/A (ATP) 300 lbs\*



### EMPTY WEIGHT

MXU-648 104 lbs

MXU-1072/A (ATP) 100 lbs



KIHOMAC provides overhaul support and engineering services for the pod.

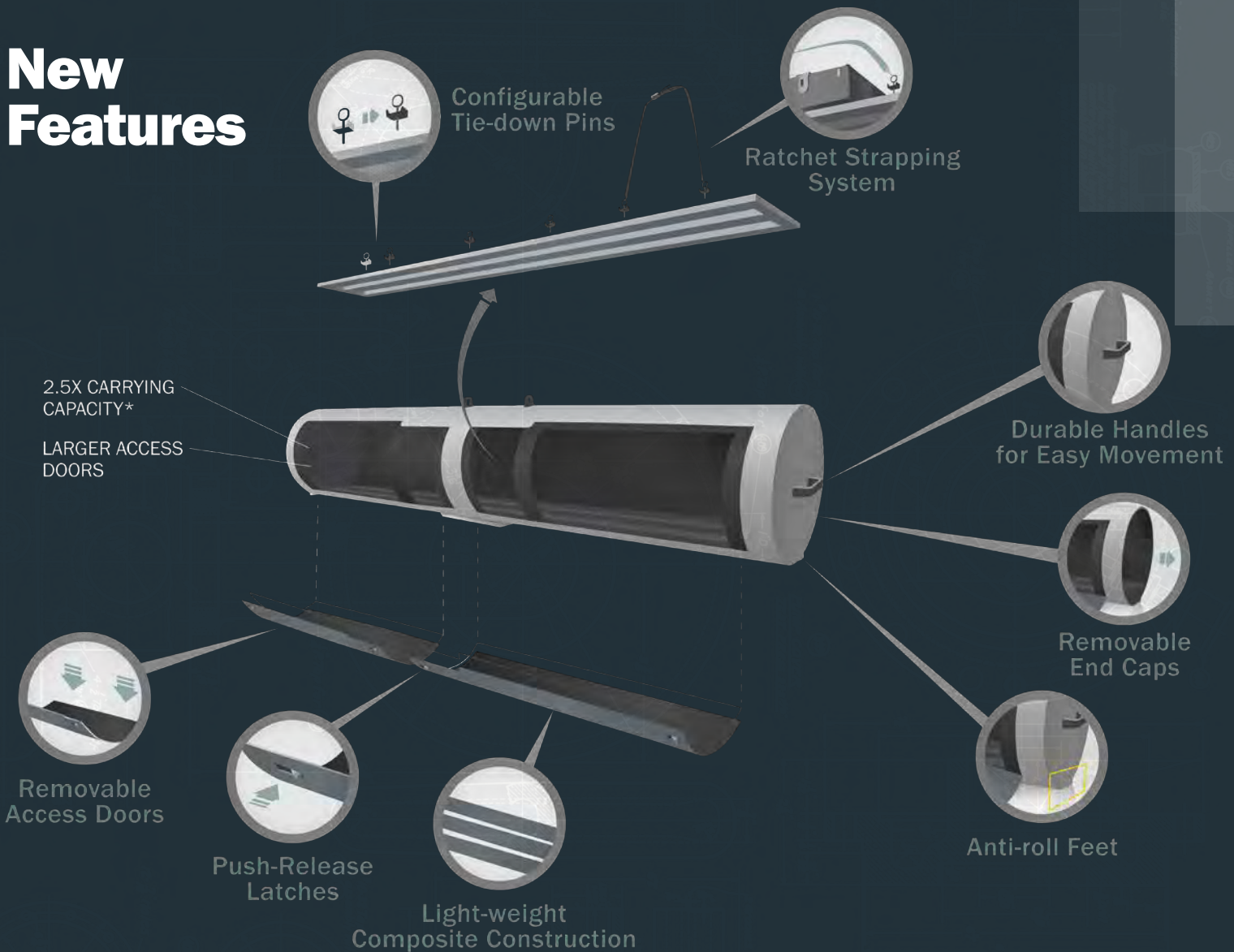


KIHOMAC is prepared for both national and international sales.



KIHOMAC plans to produce storage racks and trailers for further support.

# New Features



\*Useable volume compared to legacy pod.

## Larger Access Doors

Improves access and versatility for outsized equipment

## KIHOMAC's Integrated Tie-Down System

Enables storage of odd-sized items and proper security of all items for flight

## Lighter Weight Design

Over 40 pounds less than the legacy pod  
Easily managed by two crew members

## Larger Storage Space

3X more internal storage than the legacy pod

## Standard NATO Lug Spacing

Ensures compatibility with U.S. military services and international partners

## Removable End Caps

Enables easy loading and unloading of long items

## Roll Prevention Feet

Prevent rolling and unnecessary wear during ground operations

## Quick Release Latches

Improves handling and access for F-35 crews

## Customizable

KIHOMAC can modify, manufacture, and install internal/external ATPs for fighters and bombers

## Agile Combat Employment (ACE)

Carries deployment cargo, support equipment, and spare parts



**ISO 9001:2015 / AS9100D / CMMI LEVEL 3**



## CONTRACTING INFORMATION

### Contracting Vehicles

- GSA OASIS Pool 6 SB
- ASTRO
- DevSecOps BOA
- KRACEn
- NAWCAD PLP & FRP
- SeaPort-NxG
- RAPID
- EPIC
- RISE
- EWAAC
- Multiple OTAs

### NAICS Codes

- 541715
- 541330
- 336413
- 336411
- 332710
- 333517



## PRICING

**KI HO KANG** 703.786.6512  
kiho.kang@kihomac.com



## TECHNICAL INFO

**TREY MUNN** 801.540.7367  
trey.munn@kihomac.com



## WWW.KIHOMAC.COM

kihomac.virtualtsb.com



## CERTIFICATIONS

- ISO 9001:2015
- AS9100D
- CMMI Level 3
- NADCAP (Composites)
- SAE AS50881
- IPC/WHMA-A-620
- IPC J-STD-001

